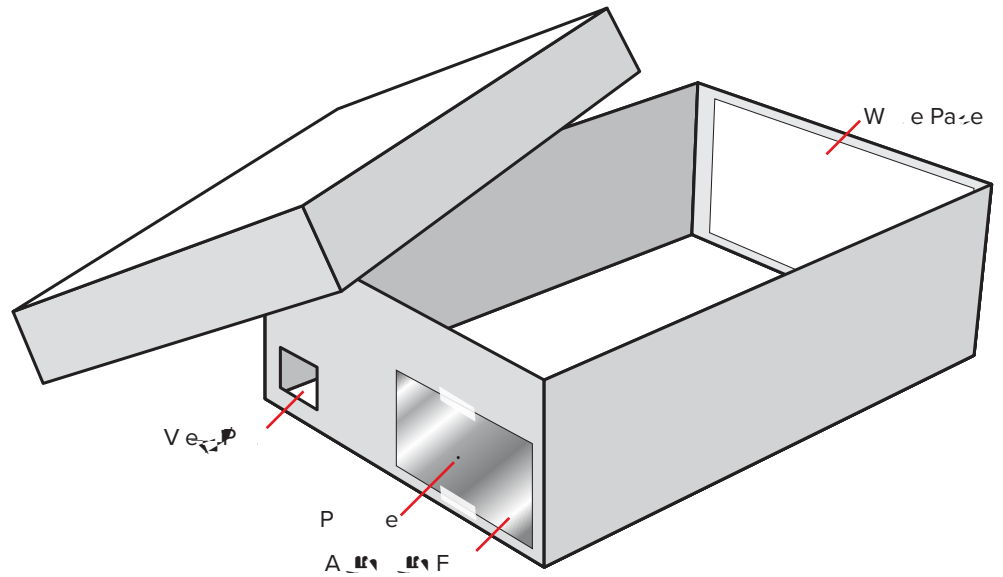


Name

a

# Pinhole Eclipse Viewer

Materials



1. E sa a a a e d a e c e.

---

---

---

---

---

---

---

2. W a a e e a d a a e f a e e e e e e e c e?

---

---

---

---

---

---

---

# Pinhole Eclipse Viewer

## Materials (per class)

- cardboard
- black (construction paper or black)
- cellophane
- cellophane
- cellophane
- 3 3/4" x 3 3/4" cellophane
- cellophane
- cellophane
- cellophane

**Objective:** Students will be able to create a pinhole viewer to observe a solar eclipse.

## Teacher Notes

Have students create a pinhole viewer to observe a solar eclipse. The viewer will be used to observe the eclipse safely.

## Conduct an Investigation

**Step 2.** Students will need a piece of cardboard. If you are using cellophane, secure the cellophane to the cardboard.

**Step 4.** Make a hole in the cardboard. Once a hole is made, be sure to seal the hole with cellophane.

**Step 5.** You will need a piece of cellophane, a piece of cardboard, and a hole punch.

**Steps 6–9.** Read the directions and create a pinhole viewer. If you are using cellophane, be sure to seal the hole with cellophane. The viewer will be used to observe the eclipse safely.